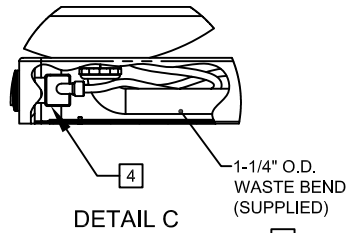
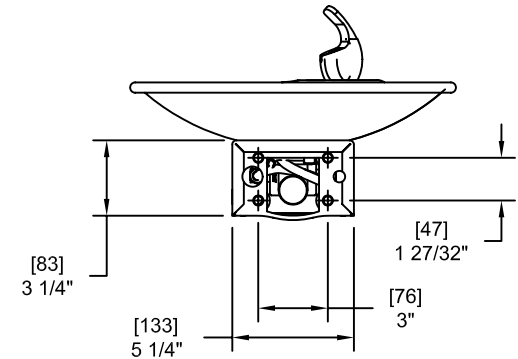
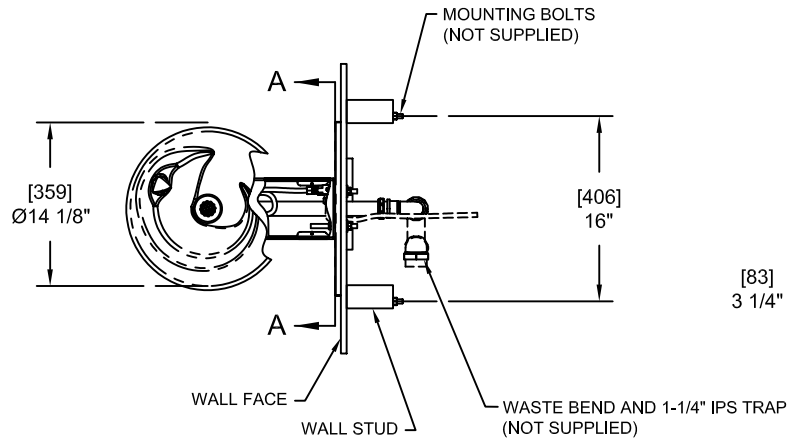
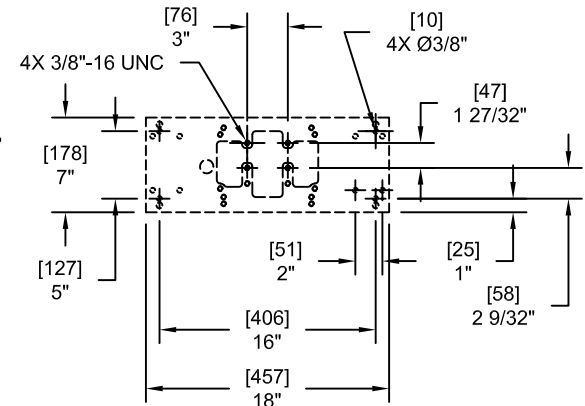
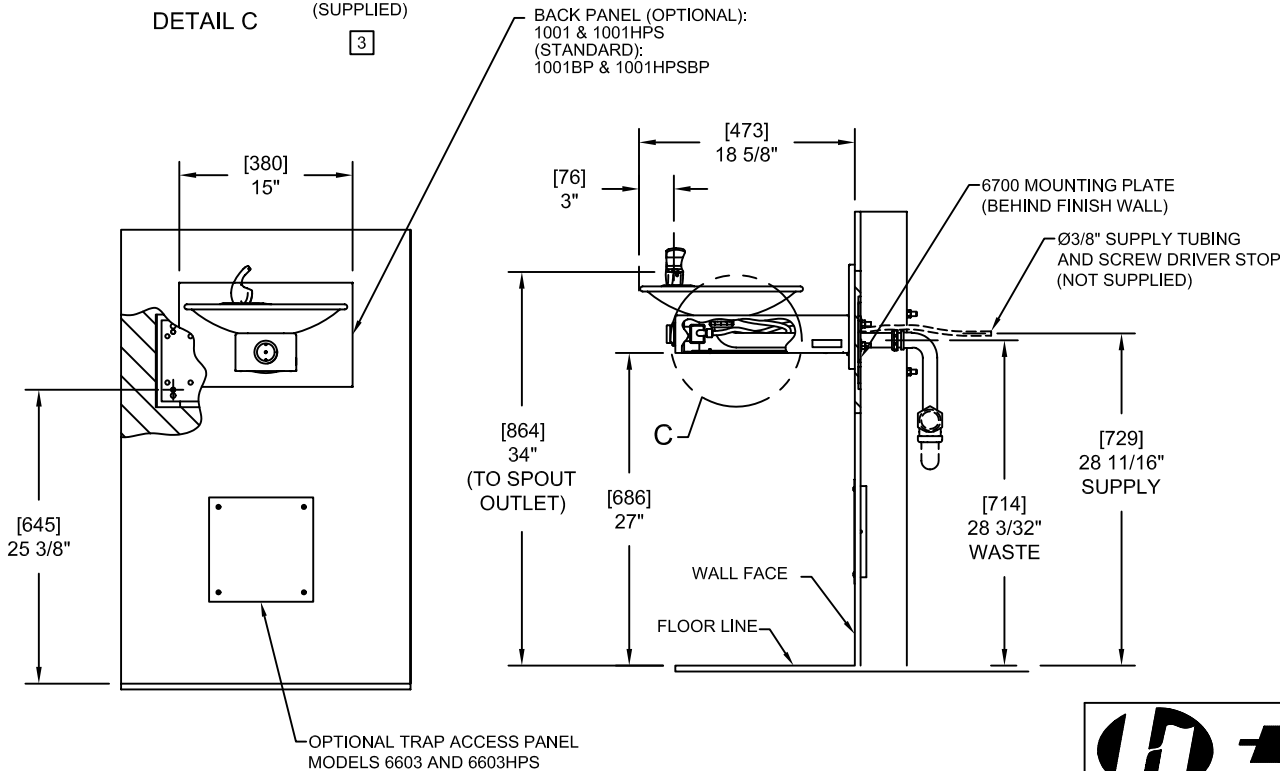


**NOTES:**

1. HOLD ROUGH-IN DIMENSIONS  $\pm 1/8"$  (3.2mm).
2. WHEN INSTALLING THIS UNIT, LOCAL, STATE, OR FEDERAL CODES SHOULD BE ADHERED TO FOR INSTALLATION DIMENSIONS (LOCATIONS), WASTE AND SUPPLY REQUIREMENTS OTHER THAN SHOWN.
3. INSTALLER MUST PROVIDE TRAP FOR PROPER INSTALLATION.
4. REMOVE VALVE FROM PUSH BUTTON TO INSTALL WASTE ELBOW ONTO BOWL. AFTER WASTE ELBOW IS INSTALLED, REINSTALL VALVE AND ADJUST FLOW.



**SECTION A-A  
ROTATED 90° INTO VIEW  
BRACKET MOUNTING  
DETAIL**



1455 KLEPPE LANE  
SPARKS, NEVADA 89431  
(775) 359-4712 FAX (775) 359-7424  
E-MAIL: HAWS@HAWS.CO.COM  
WEBSITE: WWW.HAWS.CO.COM

ECN NO. REVISED PER BY:	ECN: 4603 HM	MODEL(S)	PART NUMBER:
DRAWN:	DATE: 05/97	1001/1001BP/1001HPS/1001HPSBP	0002076304.D
RTM:	DATE:	DRINKING FOUNTAIN	DRAWING NO.: 15990A00
APPROVED:	DATE:	SCALE: 1:1	REV: 15
		DRAWING TYPE: INSTALLATION	SIZE: A SHEET 1 OF 1