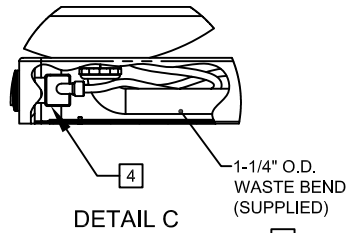
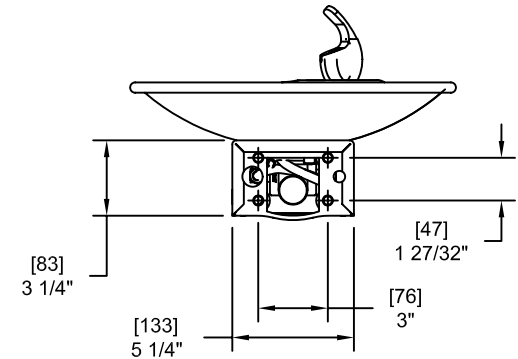
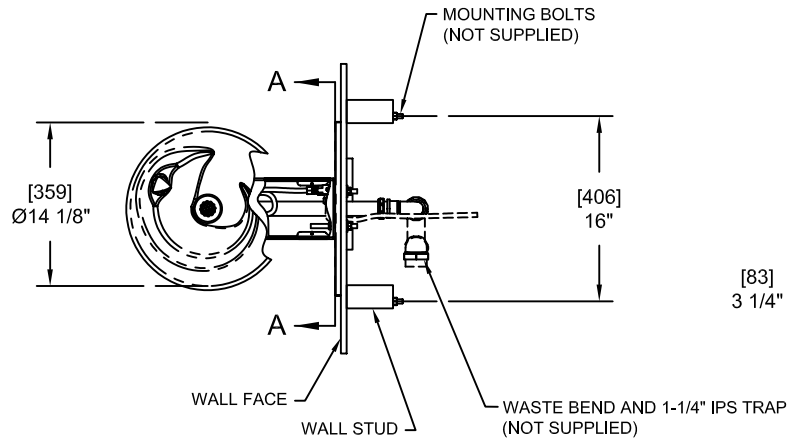
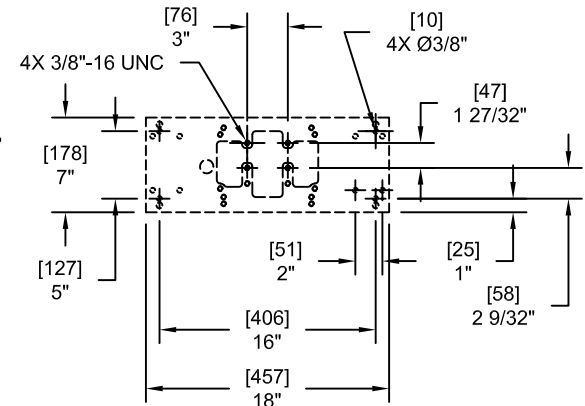
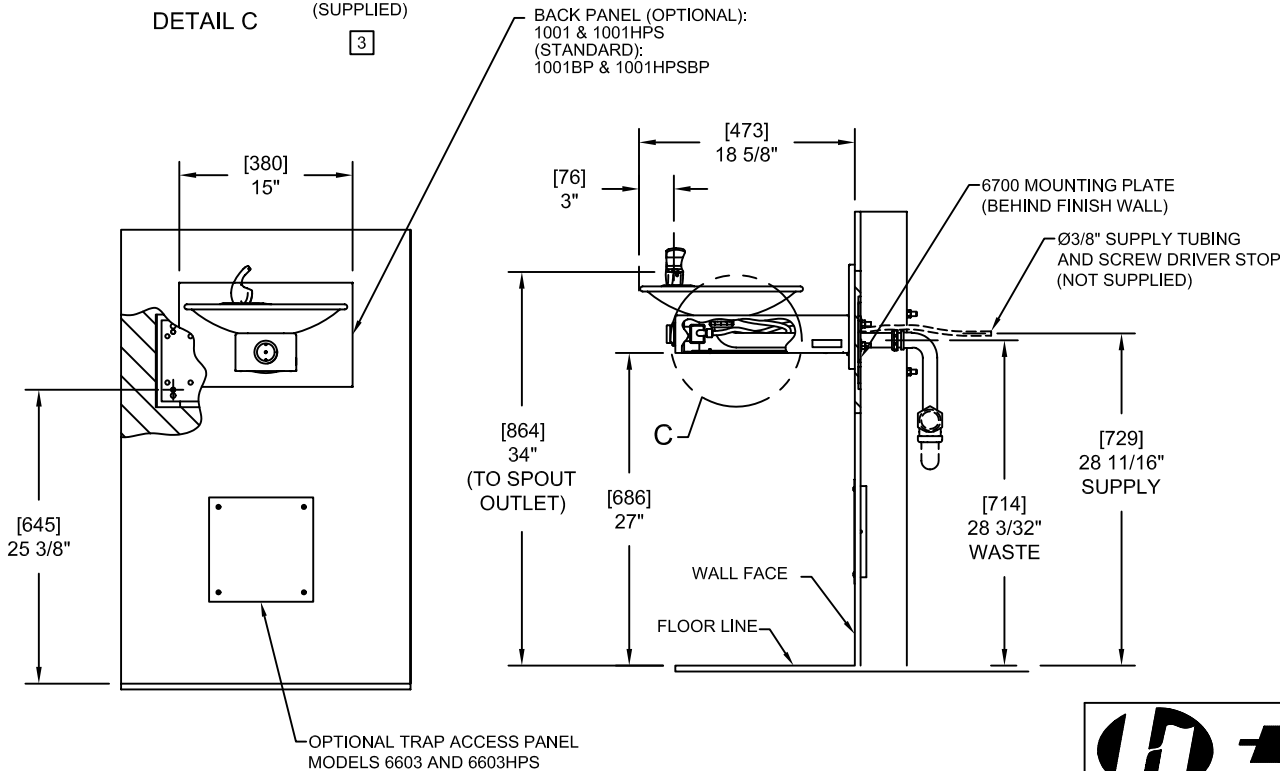


NOTES:

1. HOLD ROUGH-IN DIMENSIONS $\pm 1/8"$ (3.2mm).
2. WHEN INSTALLING THIS UNIT, LOCAL, STATE, OR FEDERAL CODES SHOULD BE ADHERED TO FOR INSTALLATION DIMENSIONS (LOCATIONS), WASTE AND SUPPLY REQUIREMENTS OTHER THAN SHOWN.
3. INSTALLER MUST PROVIDE TRAP FOR PROPER INSTALLATION.
4. REMOVE VALVE FROM PUSH BUTTON TO INSTALL WASTE ELBOW ONTO BOWL. AFTER WASTE ELBOW IS INSTALLED, REINSTALL VALVE AND ADJUST FLOW.



**SECTION A-A
ROTATED 90° INTO VIEW
BRACKET MOUNTING
DETAIL**



**6700 MOUNTING PLATE
MUST BE INSTALLED BEFORE
FINISH WORK. THIS PLATE IS A
STANDARD ITEM.**

OPTIONAL TRAP ACCESS PANEL
MODELS 6603 AND 6603HPS



1455 KLEPPE LANE
SPARKS, NEVADA 89431
(775) 359-4712 FAX (775) 359-7424
E-MAIL: HAWS@HAWS.CO.COM
WEBSITE: WWW.HAWS.CO.COM

ECN NO. REVISED PER BY:	ECN: 4603 HM	MODEL(S)	PART NUMBER:
DRAWN:	DATE: 05/97	1001/1001BP/1001HPS/1001HPSBP	0002076304.D
RTM:	DATE:	DRINKING FOUNTAIN	DRAWING NO.: 15990A00
APPROVED:	DATE:	SCALE: 1:1	REV: 15
		DRAWING TYPE: INSTALLATION	SIZE: A SHEET 1 OF 1