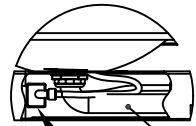


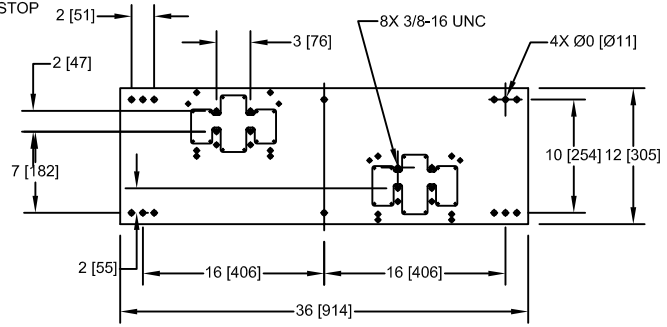
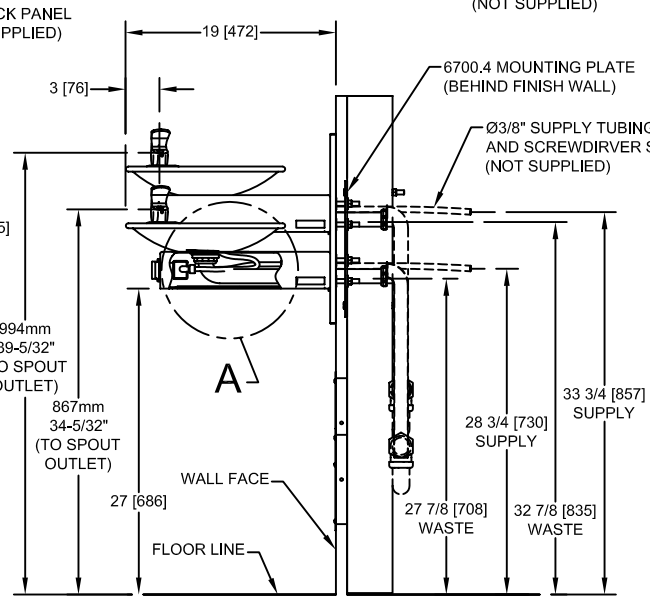
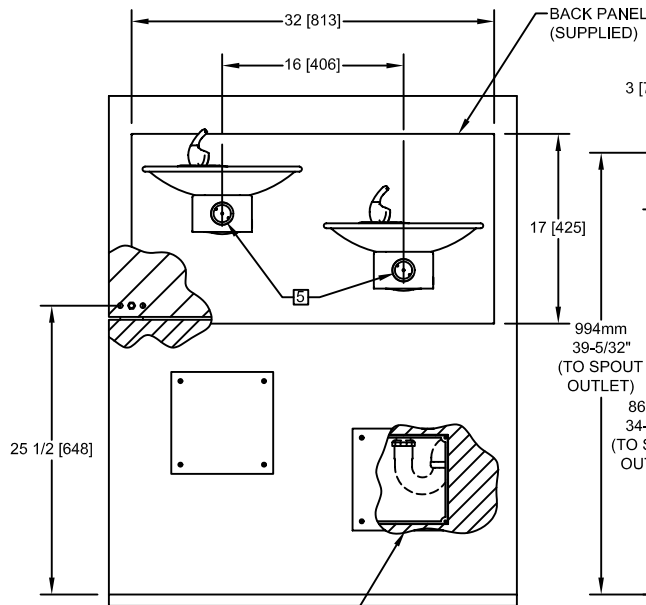
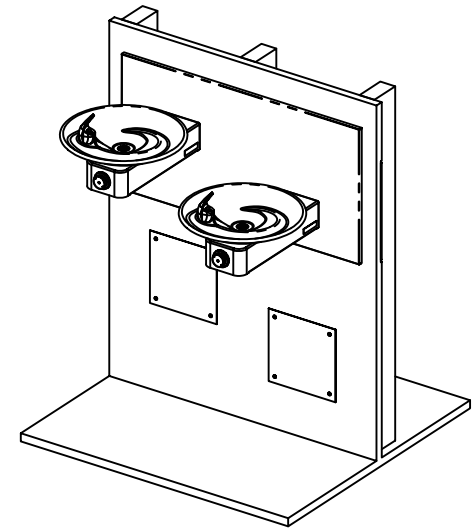
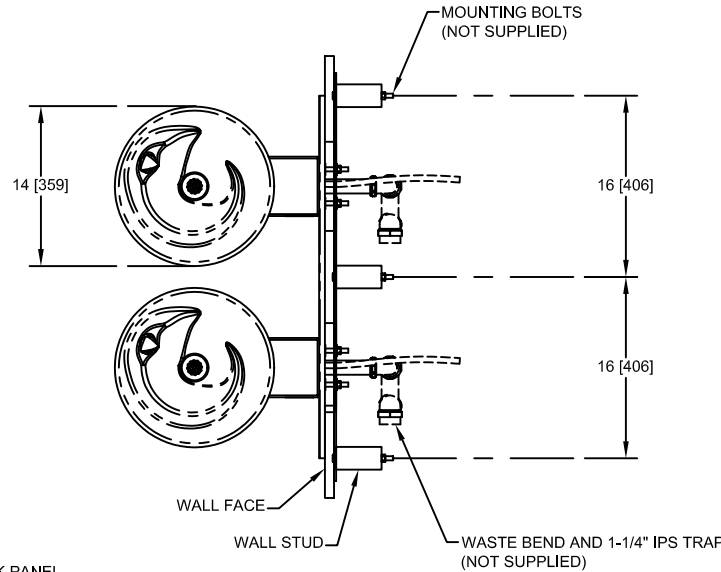
**NOTES:**

1. HOLD ROUGH-IN DIMENSIONS  $\pm 1/8"$  (3.2mm).
2. WHEN INSTALLING THIS UNIT, LOCAL, STATE, OR FEDERAL CODES SHOULD BE ADHERED TO FOR INSTALLATION DIMENSIONS (LOCATIONS), WASTE AND SUPPLY REQUIREMENTS OTHER THAN SHOWN.
3. INSTALLER MUST PROVIDE TRAP FOR PROPER INSTALLATION.
4. REMOVE VALVE FROM PUSH BUTTON TO INSTALL WASTE ELBOW ONTO BOWL. AFTER WASTE ELBOW IS INSTALLED, REINSTALL VALVE AND ADJUST FLOW.
5. REFER TO 5874SS OPERATION AND MAINTENANCE MANUAL FOR PUSH BUTTON AND VALVE INSTALLATION/MAINTENANCE INSTRUCTIONS.



**DETAIL A**  
SCALE 1 : 12

1-1/4" O.D. WASTE BEND (SUPPLIED)



**6700.4 MOUNTING PLATE MUST BE INSTALLED BEFORE FINISH WORK. THIS PLATE IS A STANDARD ITEM.**



1455 KLEPPE LANE  
SPARKS, NEVADA 89431  
(775) 359-4712 FAX (775) 359-7424  
E-MAIL: HAWS@HAWS.CO.COM  
WEBSITE: WWW.HAWS.CO.COM

ECN NO. REVISED PER BY:	ECN: 4603	HM	MODEL(S)	PART NUMBER:
DRAWN:	DATE:	CHKD.:	1011/1011HPS	0002076520.D
APPROVED:	DATE:		DRINKING FOUNTAIN	DRAWING NO.: 15992A00
			SCALE: 1:1	REV: 16
			DRAWING TYPE: INSTALLATION	SIZE: A SHEET 1 OF 1