

NOTES:

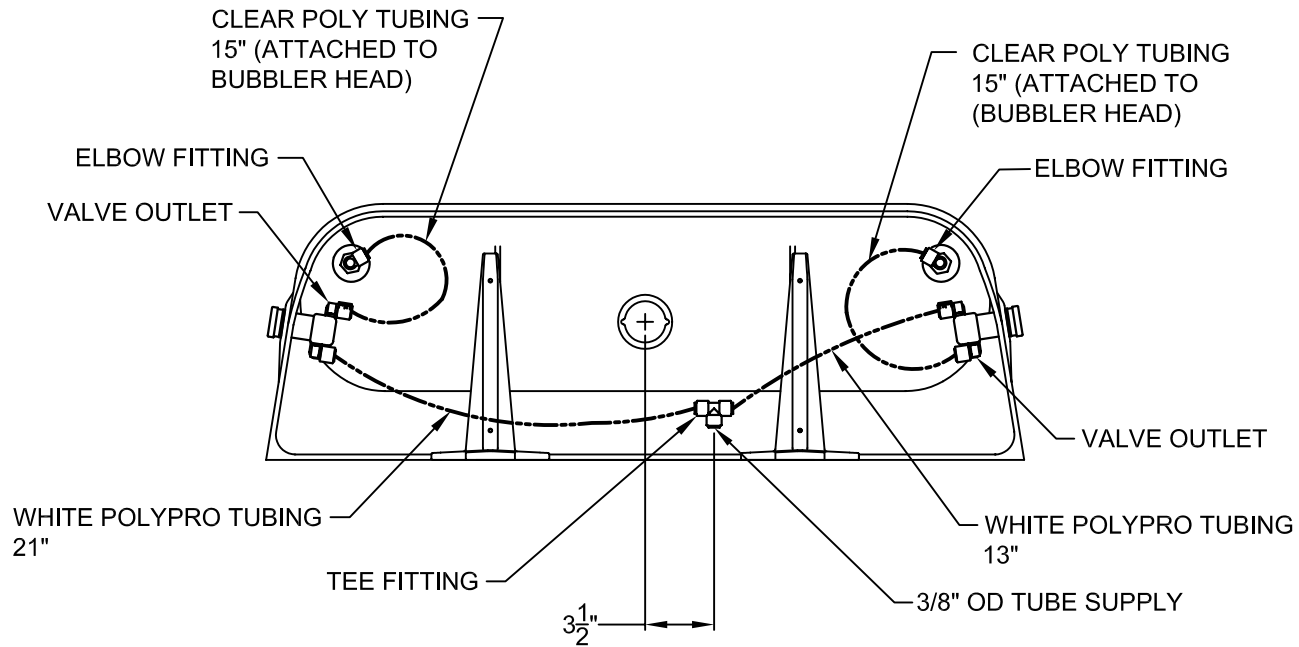
1. ROUGH-IN DIMENSIONS MAY VARY ±1/4" (6.4mm).
2. WHEN INSTALLING THIS UNIT LOCAL, STATE OR FEDERAL CODES SHOULD BE ADHERED TO. FOR INSTALLATION HEIGHTS OTHER THAN SHOWN, DIMENSIONS MARKED (*) MUST BE ADJUSTED ACCORDINGLY.
3. REFER TO 5874SS/VRK5874 OPERATION AND MAINTENANCE MANUAL FOR PUSH BUTTON AND VALVE INSTALLATION/MAINTENANCE INSTRUCTONS.

(NOTES CONTINUED ON SHEET 2 OF 2)

		1455 KLEPPE LANE SPARKS, NEVADA 89431 (775) 359-4712 FAX (775) 359-7424 E-MAIL: HAWS@HAWS.CO.COM WEBSITE: WWW.HAWS.CO.COM	
		ECN NO. REVISED PER BY: MODEL(S) ECH: 4603 HM: 1430 TWO BUBBLER FOUNTAIN	PART NUMBER: 0002076850.D
DRAWN: C.J.L. APPROVED:	DATE: 11/81 DATE:	CHK'D.: DATE:	DRAWING NO.: 09919C00 REV. 16
SCALE: 1:11		DRAWING TYPE: INSTALLATION	SIZE: A SHEET 1 OF 2

NOTES: (CONTINUED)

4. CONNECT WHITE "POLYPROPYLENE" TUBING ON PRESSURE SIDE (INLET) OF VALVE.
5. CONNECT CLEAR "POLYETHYLENE" TUBING ON FREE FLOW SIDE (VALVE TO BUBBLER HEAD) ONLY.



TUBING ROUTING DETAIL
BOTTOM VIEW

		1455 KLEPPE LANE SPARKS, NEVADA 89431 (775) 359-4712 FAX (775) 359-7424 E-MAIL: HAWS@HAWS.CO.COM WEBSITE: WWW.HAWS.CO.COM	
		ECN NO: 4603 DRAWN: C.J.L. APPROVED:	REVISED PER: HM DATE: 11/91 DATE:
SCALE: 1:11		DRAWING TYPE: INSTALLATION	SIZE: A SHEET 2 OF 2