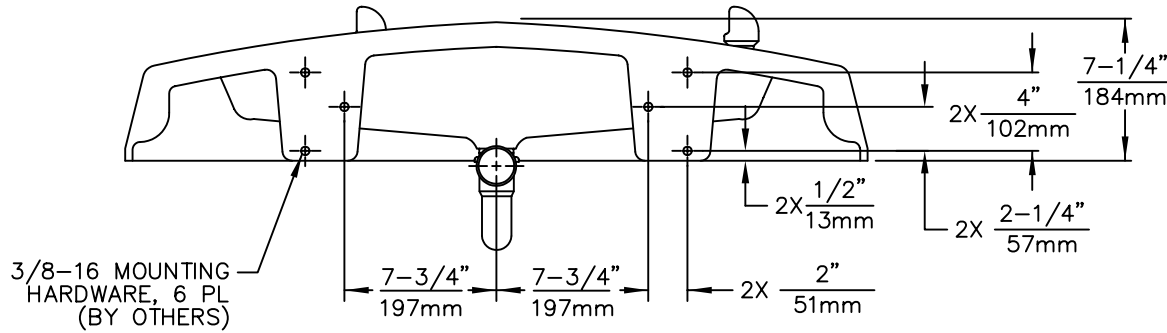
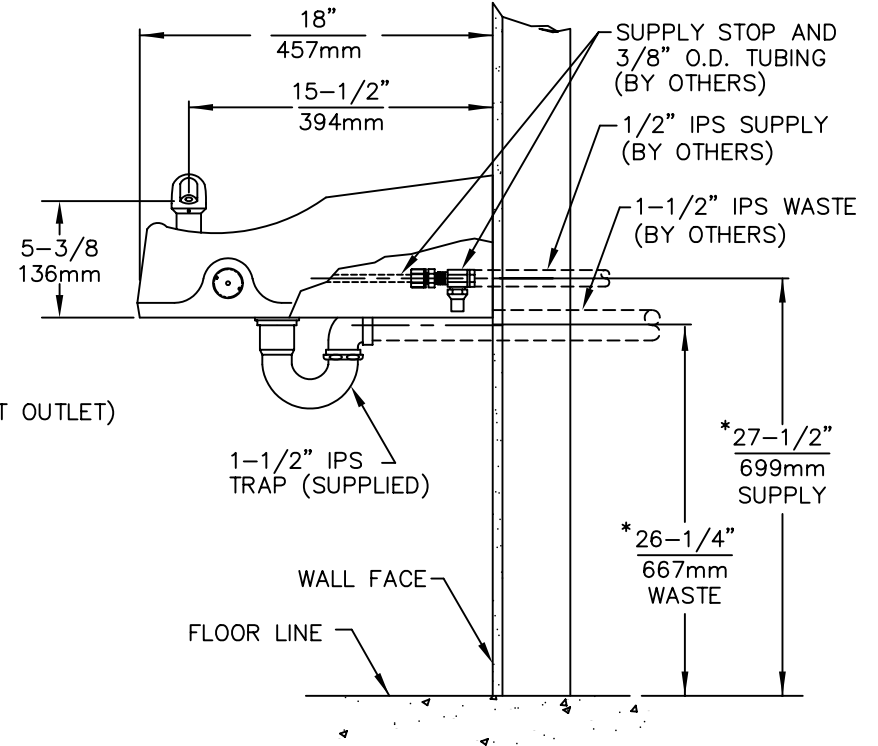
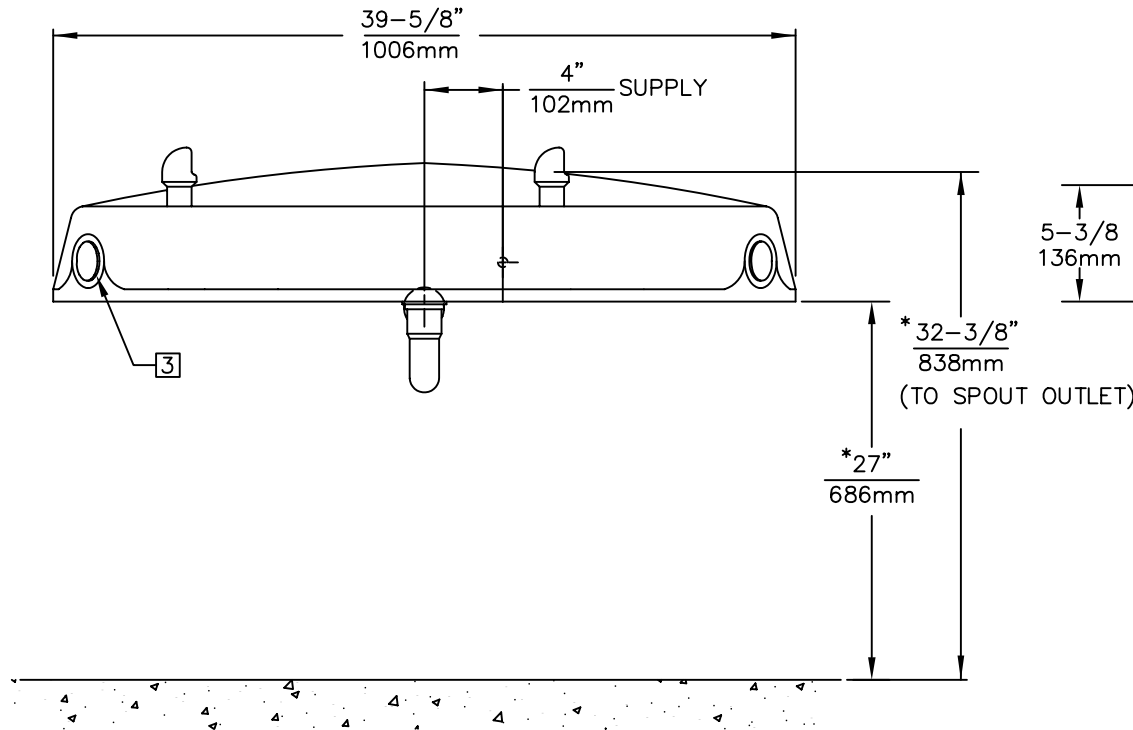


NOTES:

1. HOLD ROUGH-IN DIMENSIONS $\pm 1/4"$ (6.4mm).
2. WHEN INSTALLING THIS UNIT, LOCAL, STATE, OR FEDERAL CODES SHOULD BE ADHERED TO. FOR INSTALLATION HEIGHTS OTHER THAN SHOWN, DIMENSIONS MARKED (*) MUST BE ADJUSTED ACCORDINGLY.
3. REFER TO 5874/VRK5874 OPERATION AND MAINTENANCE MANUAL FOR PUSH BUTTON AND VALVE INSTALLATION/MAINTENANCE INSTRUCTIONS.



MOUNTING DETAIL



1455 KLEPPE LANE
SPARKS, NEVADA 89431
(775) 359-4712 FAX (755) 359-7424
E-MAIL: HAWS@HAWSCO.COM
WEBSITE: WWW.HAWSCO.COM

ECN NO.:	REVISED PER:	BY:	MODEL(S)	PART NUMBER
	ECN: 4603	HM	1441	0002076867.D
DRAWN:	DATE:	CHKD.:		DRAWING NO.
C. HAYES	08/92			03184C00
APPROVED:	DATE:		SCALE: 1:10	DRAWING TYPE: INSTALLATION
			SIZE: A	SHEET 1 OF 1