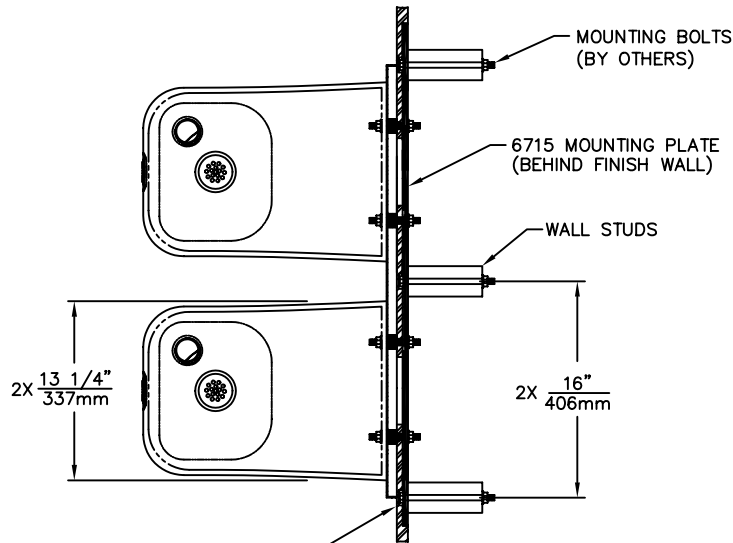
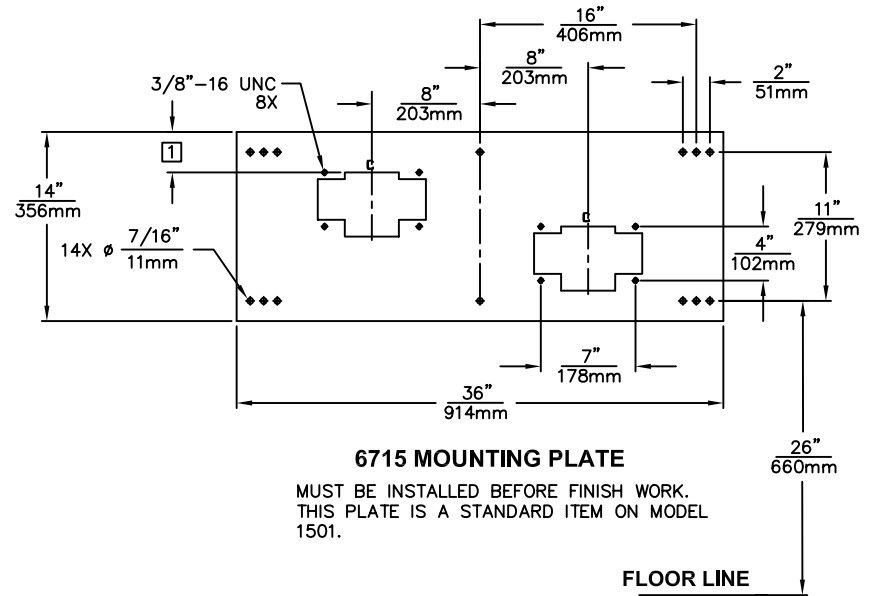
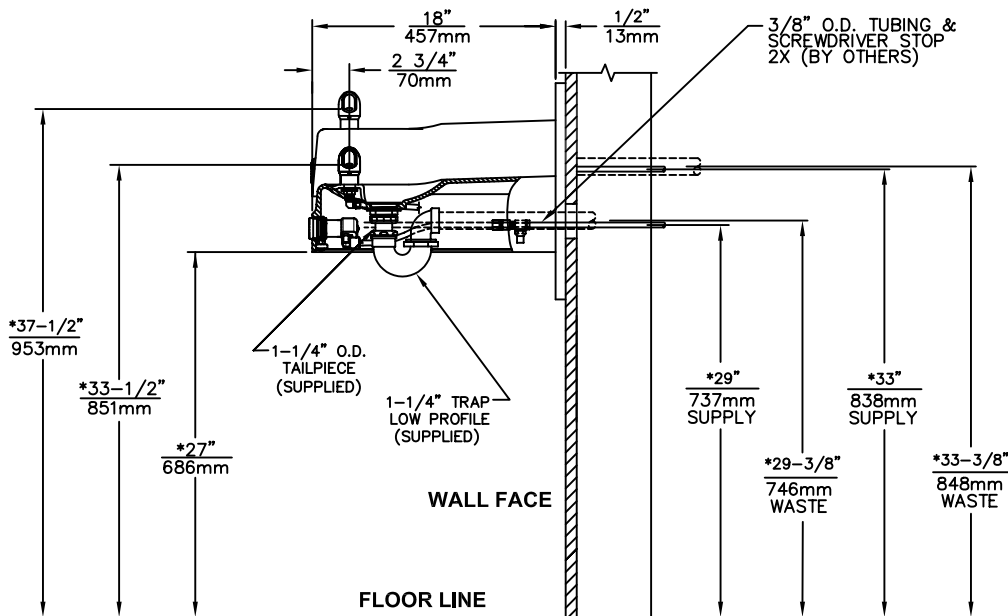


THIS DOCUMENT IS TRUE AND CORRECT AT TIME OF PUBLICATION. CONTINUED PRODUCT IMPROVEMENTS MAKE SPECIFICATIONS AND MEASUREMENTS SUBJECT TO CHANGE WITHOUT NOTICE.

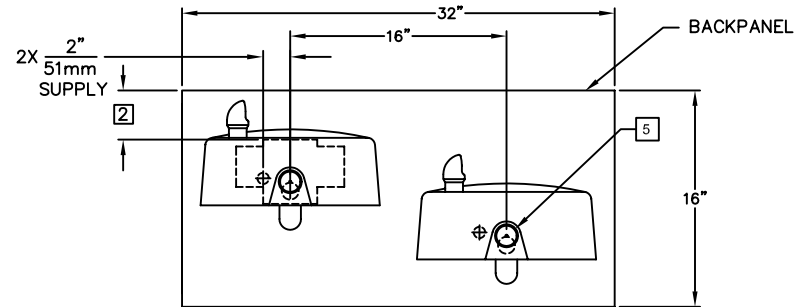


FINISH WALL OVER MOUNTING PLATE AND BEHIND BACKPANEL. BE CAREFUL THAT FINISHED WALL EXTENDS WITHIN THE HAWS BACKPANEL.



6715 MOUNTING PLATE

MUST BE INSTALLED BEFORE FINISH WORK. THIS PLATE IS A STANDARD ITEM ON MODEL 1501.



NOTES:

1. 3" DIM TO SLOTTED OPENING ON THE MOUNTING PLATE MUST BE ON THE TOP L.H. SIDE WHEN INSTALLED.
2. 4-5/8" DIM TO SLOTTED OPENING ON THE BACKPANEL MUST BE ON TOP L.H. SIDE WHEN INSTALLED.
3. HOLD ROUGH-IN DIMENSIONS ± 1/4" (6.4MM).
4. WHEN INSTALLING THIS UNIT, LOCAL, STATE, OR FEDERAL CODES SHOULD BE ADHERED TO. FOR INSTALLATION HEIGHTS OTHER THAN SHOWN, DIMENSIONS MARKED (*) MUST BE ADJUSTED ACCORDINGLY.
5. REFER TO 5874SS/VRK5874 OPERATION AND MAINTENANCE MANUAL FOR PUSH BUTTON AND VALVE INSTALLATION/MAINTENANCE INSTRUCTIONS.

		1455 KLEPPE LANE SPARKS, NEVADA 89431 (775) 359-4712 FAX (755) 359-7424 E-MAIL: HAWS@HAWSCO.COM WEBSITE: WWW.HAWSCO.COM	
		ECN NO. REVISED PER BY: MODEL(S) ECN: 4603 HN	PART NUMBER 0002076988.D
DRAWN: F. VASQUEZ APPROVED:	DATE: 05/15/01 DATE:	CHKD.: HN	1501
SCALE: 1:14 DRAWING TYPE: INSTALLATION		SIZE: A SHEET 1 OF 1	