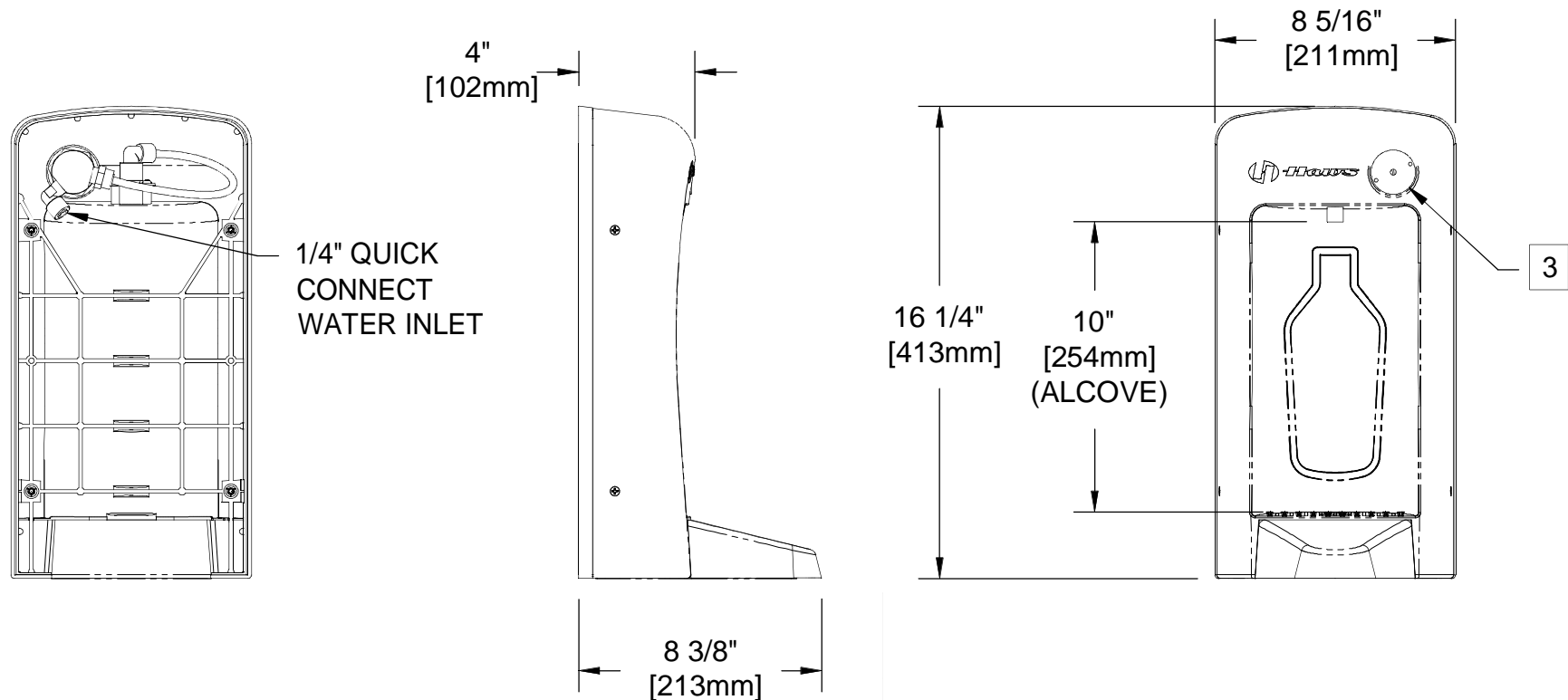
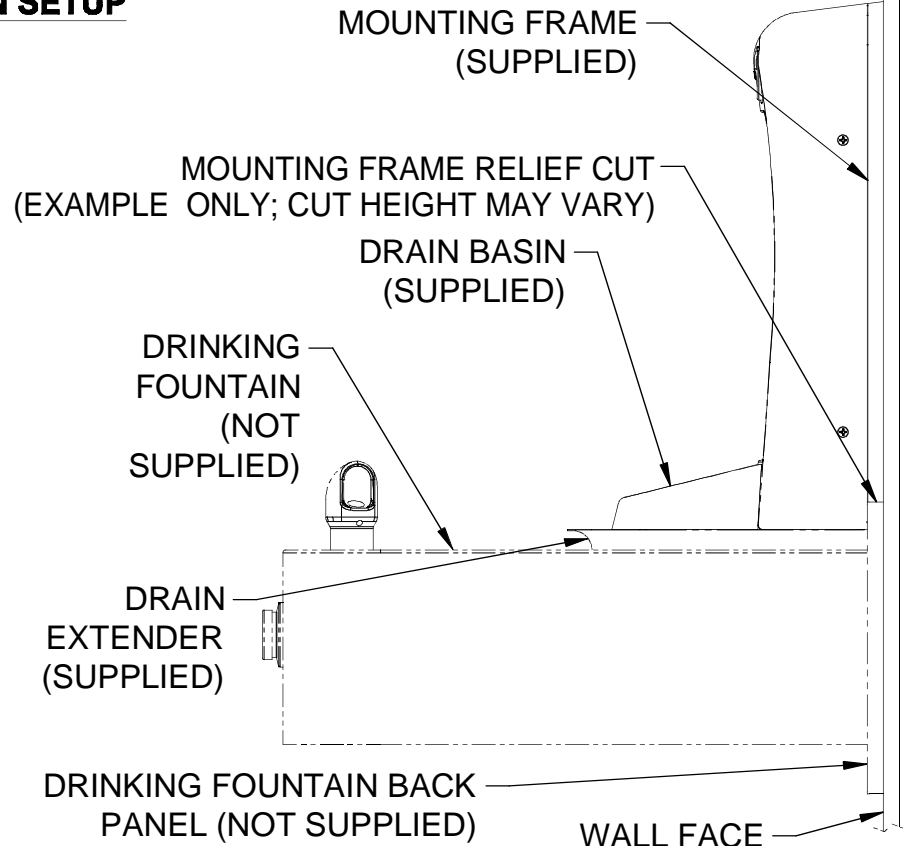
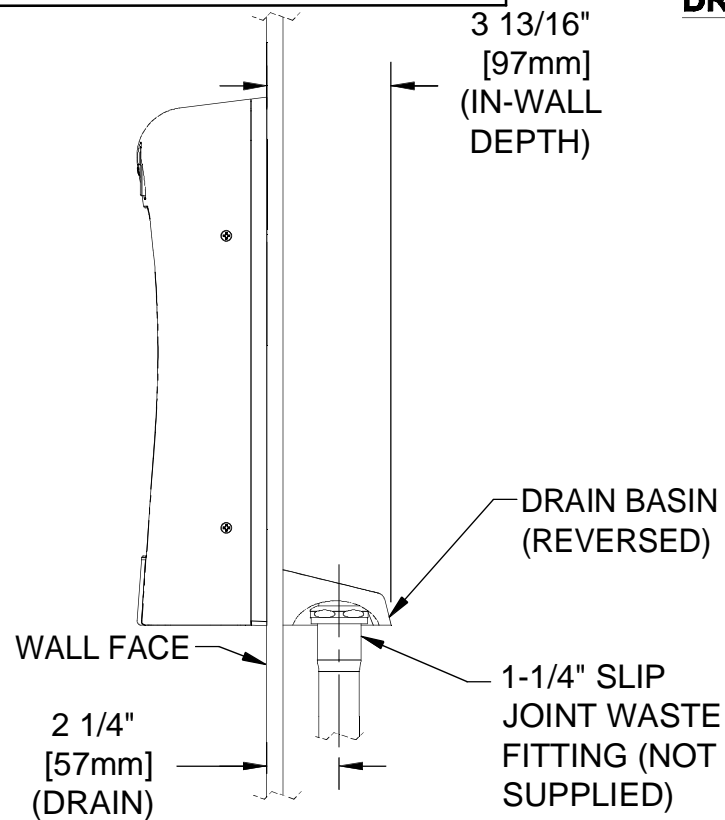


**NOTES:**

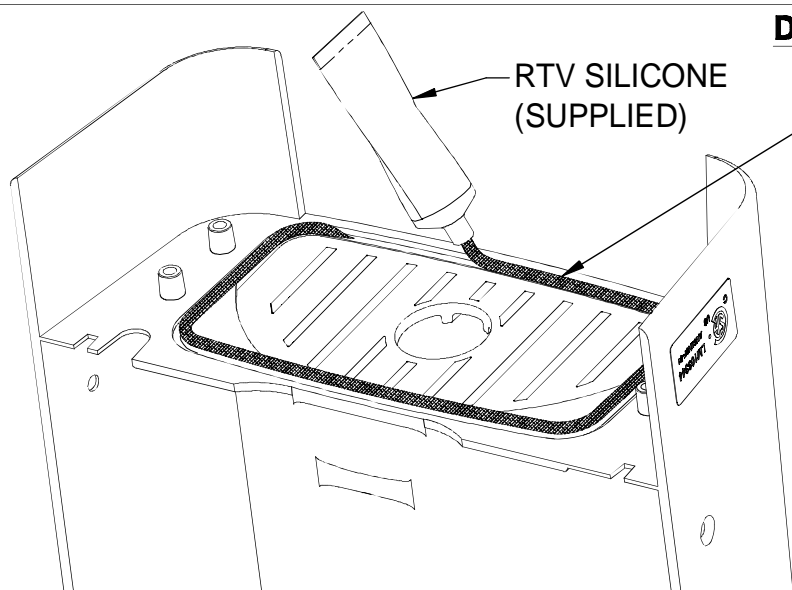
1. HOLD ROUGH-IN DIMENSIONS  $\pm 1/4"$  (6.4mm).
2. WHEN INSTALLING THIS UNIT, LOCAL, STATE, OR FEDERAL CODES SHOULD BE ADHERED TO. FOR INSTALLATION HEIGHTS OTHER THAN SHOWN, DIMENSIONS MARKED (\*) MUST BE ADJUSTED ACCORDINGLY. INSTALL A TRAP IN THE WASTE LINE AND A SCREWDRIVER STOP IN THE SUPPLY LINE IF REQUIRED.
- 3 REFER TO 5874SS OPERATION & MAINTENANCE MANUAL FOR PUSH BUTTON AND VALVE INSTALLATION & MAINTENANCE INSTRUCTIONS.
- 4 BOTTLE FILLER IS SHOWN INSTALLED AT ADA MAXIMUM OBSTRUCTED FORWARD REACH HEIGHT. FOR ADA OBSTRUCTED SIDE REACH COMPLIANCE, BOTTLE FILLER MUST BE LOWERED 2". ADA COMPLIANCE DEPENDS ON OVERALL SIZE OF WATER COOLER OR DRINKING FOUNTAIN (SEE SHEETS 3 & 4).



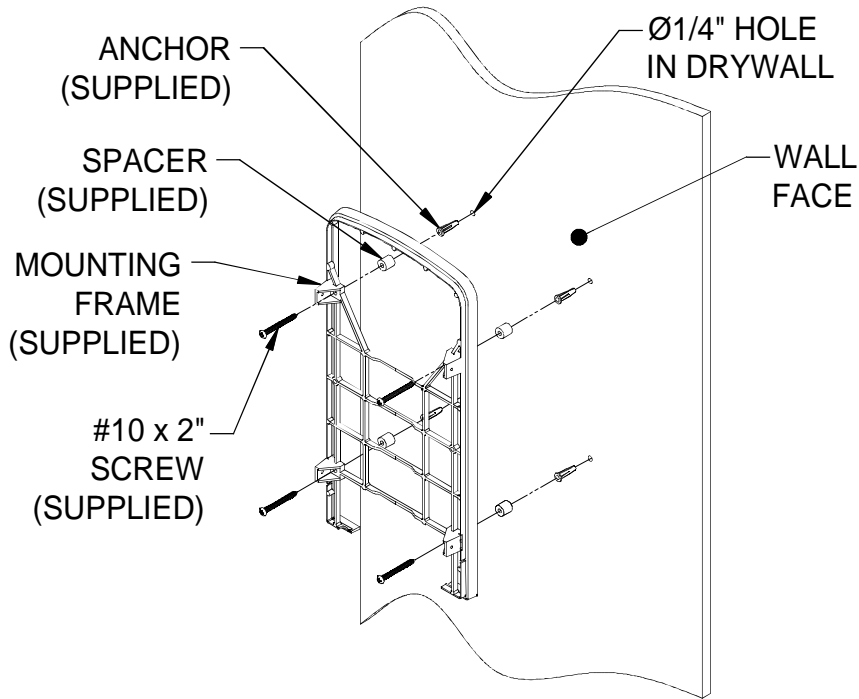
## **DRAIN SETUP**



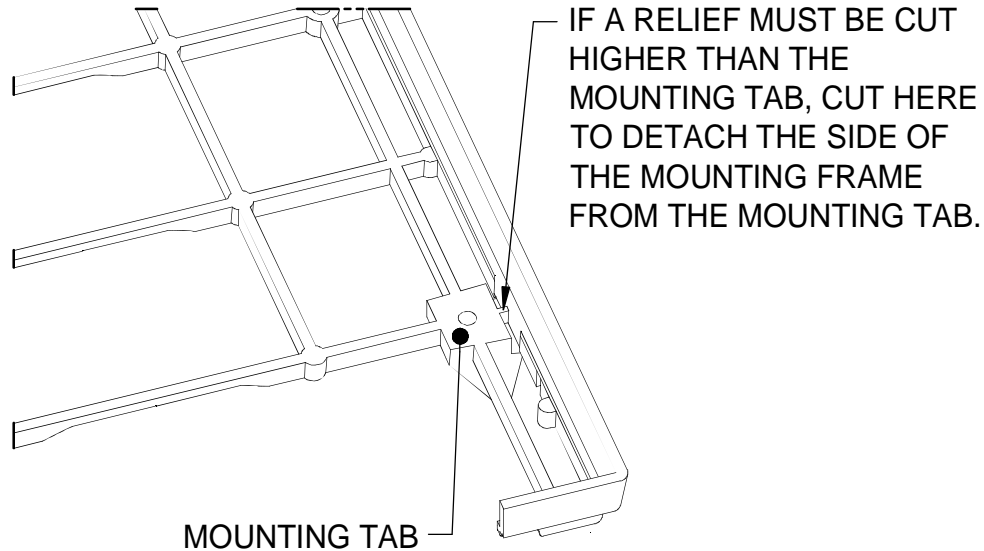
## **DRAIN SEAL DETAIL**



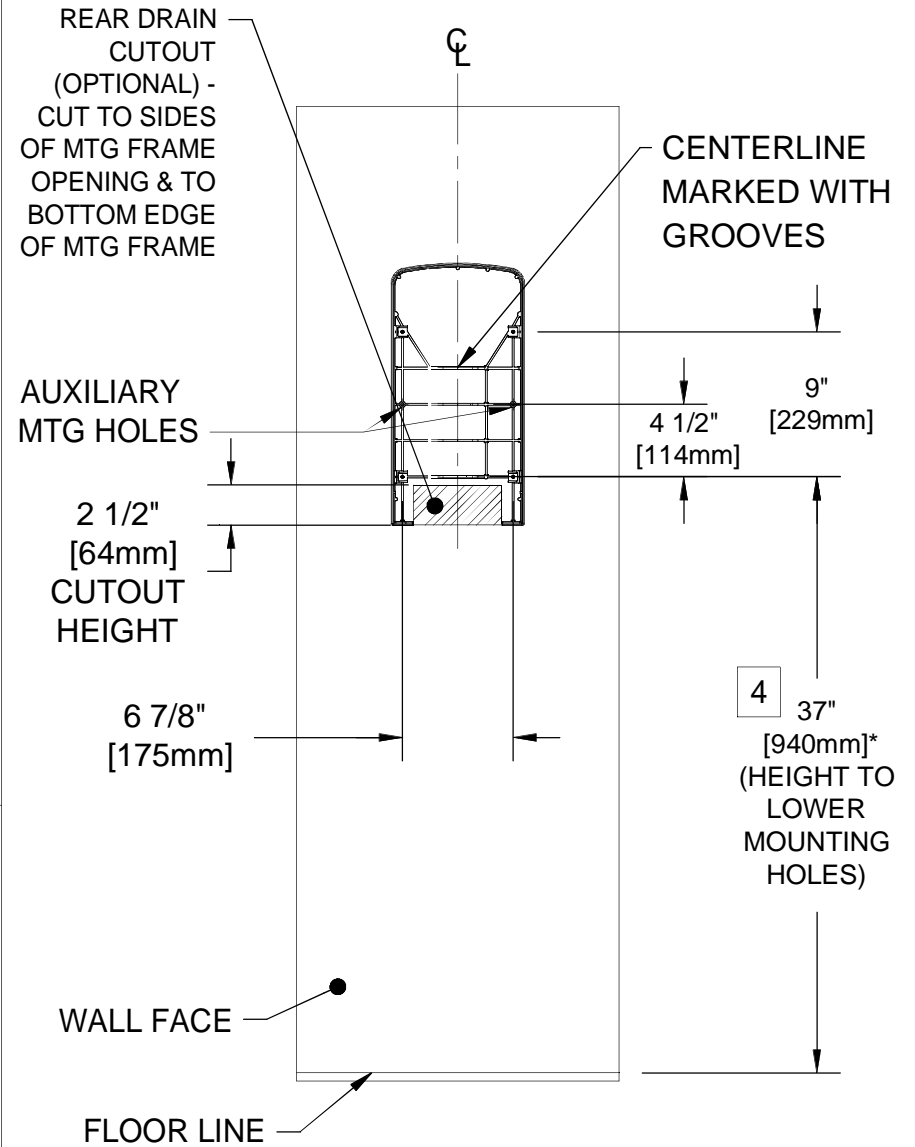
**RUN A 1/8"-3/16" DIAMETER BEAD OF RTV RIGHT ALONGSIDE THE GROOVE, BUT NOT IN THE GROOVE. CHECK THE RTV BEAD FOR THIN SECTIONS, GAPS, OR AREAS WHERE THE BEAD DOES NOT TOUCH THE PLASTIC - FILL THESE IN WITH RTV.**



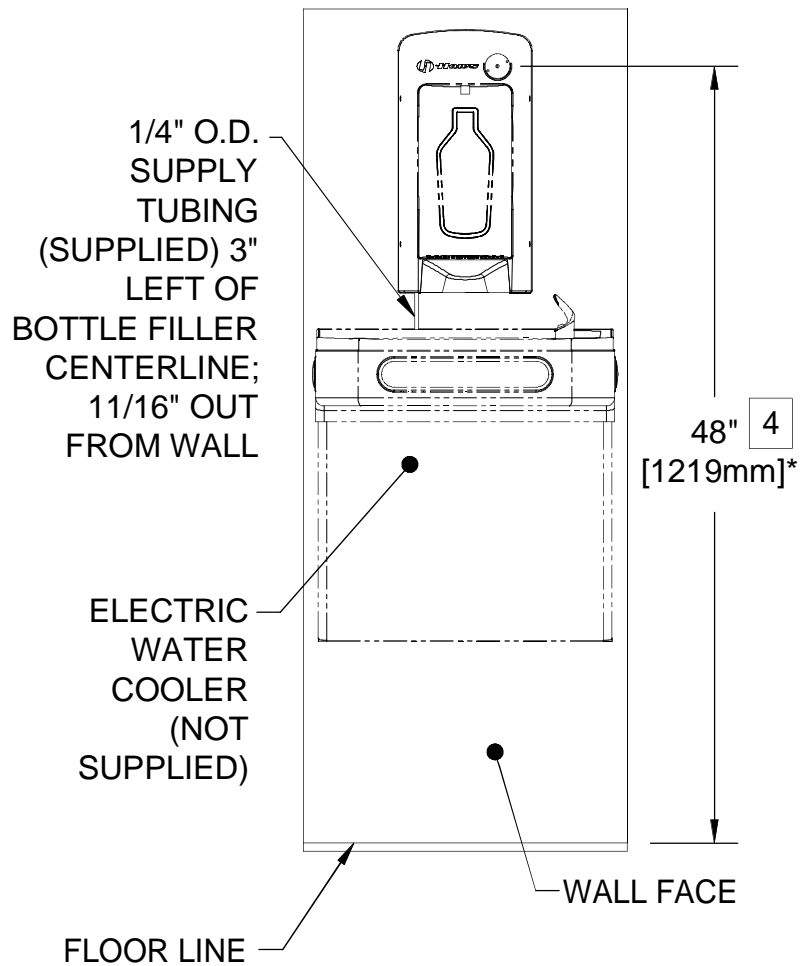
**MOUNTING FASTENER DETAIL**



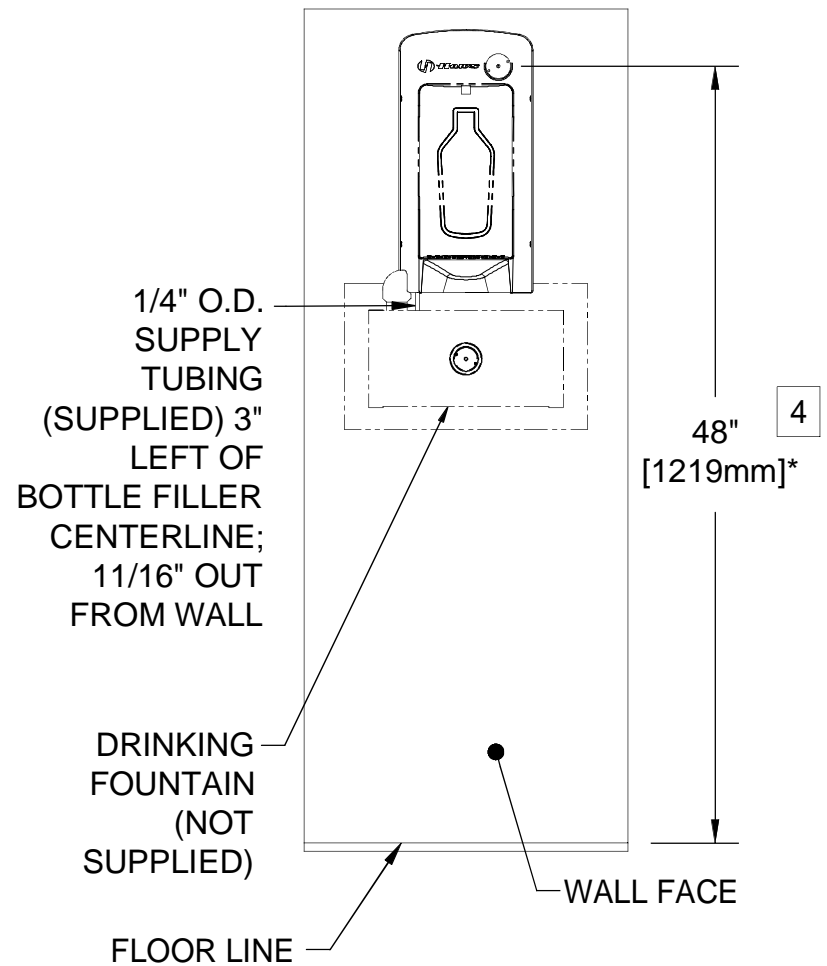
**CUTTING THE MOUNTING FRAME RELIEF**



**MOUNTING FRAME & OPTIONAL REAR DRAIN CUTOUT DETAILS**



**TYPICAL WATER COOLER INSTALLATION**



**TYPICAL DRINKING FOUNTAIN INSTALLATION**