

H1-1000230Y1W-GIA

Detailed Description

| Performance | | |
|------------------|--------|-------|
| Lamp | Number | 1 |
| | Watts | 1000W |
| InputVolts | | 230V |
| Input Current | | 4.52A |
| Input Power | | 1040W |
| Min Power Factor | | 0.99 |
| THD | | <10% |
| Crest Factor | | <1.7 |

| Physical | | |
|-------------|-------|--------|
| Case Length | 249mm | 9.80" |
| Case Width | 249mm | 9.80" |
| Height | 609mm | 23.98" |
| Weight | 4.2kg | 9.26lb |

| Dimming Type | | | | | | |
|--------------|-----|-----|-----|------|------|-----|
| Gear | 600 | 750 | 825 | 1000 | 1150 | EXT |

1.External control: Megaphoton Master Controller

Protections

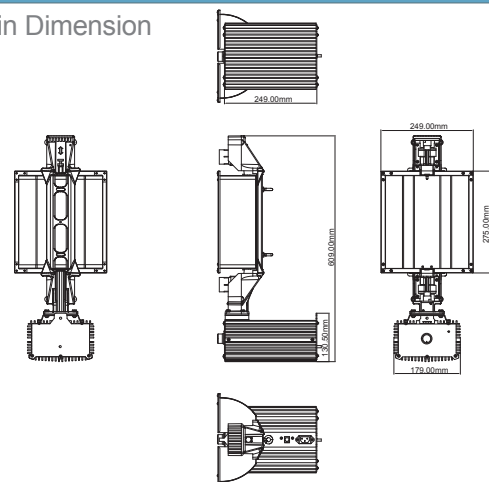
- 1.End of Lamp Life(EOL)Protection
- 2.Short circuit protection
- 3.Open circuit protection
- 4.Ignition failure protection
- 5.Thermal protection
- 6.Tree color status LED advanced status indication and status history
- 7.Suitable for Megaphoton Master Controller
- 8.Total control range 50-115%

Installation & Application Notes

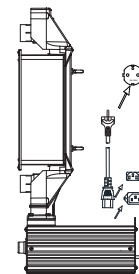
- 1.Max. allowable case temperature:75°C/167°F.
- 2.Ambient Temperature:-20...+40°C/-4...+104°F.
- 3.Max. Humidity:95%.
- 4.Ignition voltage is 5kV.

| Performance Requirements: | |
|---------------------------|------------|
| Rated mains voltage: | 230V |
| Voltage range (+/-10%): | 207-253V |
| Mains frequency: | 50/60Hz |
| Operation frequency : | 100-120kHz |

Main Dimension

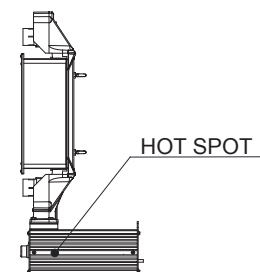


Wiring Diagram



Ballast Case must be Grounded

Tcase max=75°C/167°F



Postadress:

TRÄDGÅRDSTEKNIK AB
Helsingborgsvägen 578, Varalöv
262 96 ÄNGELHOLM

Telefon : 0431-222 90
Bg.nr : 5743-7980
Org.nr : 556409-6120

URL:

www.tradgardsteknik.se
E-postadress:
info@tradgardsteknik.se